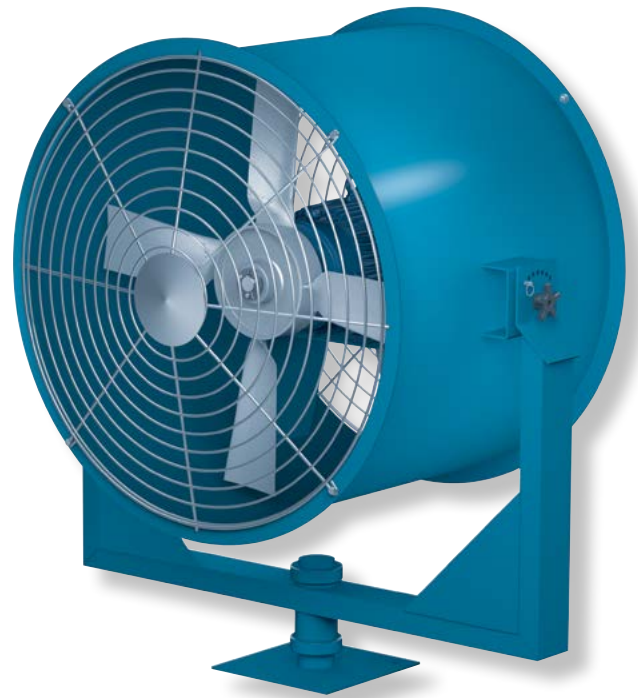




INDUSTRIAL PROCESS AND  
COMMERCIAL VENTILATION SYSTEMS

# MANCOOLER FANS

Model TCSM





Shipping Department Ventilation, Model TCSM

### Model TCSM

- 16" to 48" impeller diameters
- Airflow to 41,200 CFM
- Static pressure to 34" w.g.

## Energy Regulations

Twin City Fan & Blower supports energy efficiency regulations enacted by the U.S. Department of Energy (DOE) and specific states. The selection and application of fan products is a significant part of these regulations. Engineers and specifiers must understand how to apply TCF products to their specific applications to meet applicable DOE and state regulatory requirements. Twin City Fan & Blower has made significant investments in product testing and development to provide efficient products. Developments in Twin City Fan & Blower's Fan Selector software are in place to aid your decision in product selection to assist with meeting the efficiency requirements as stipulated in the applicable regulations.

## Overview

The TCSM Stationary Mancooler provides spot cooling and area ventilation while being mounted in an out-of-the-way location. Designed for either wall, column, ceiling or floor mounting, the stationary mancooler can be adjusted for airflow in any direction. The stationary mancooler is provided with a predrilled base plate for mounting to whatever structure is desired.

### Typical Industries Include

Factories, Warehouses, Garages, Agriculture

### Configurations

Arrangement 4, Stationary

### Impeller Types

Cast Aluminum

## Construction Features

### Disconnect Switch

Provided in place of the externally mounted conduit box, a disconnect switch can be supplied for safety when inspecting and maintaining the fan.

### Extension Cord

If desired, a heavy electrical cord with plug can be provided to extend whatever length is desired. A hook is attached to the fan exterior for convenient hanging of this extension cord.

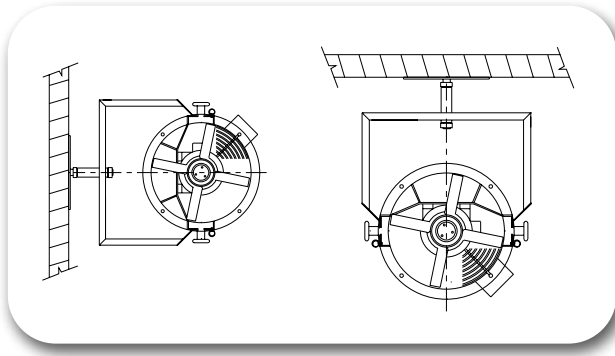
### Special Motors

Available in whatever modification is desired. Ask your Twin City Fan & Blower salesperson for specifics.



For complete product performance, drawings and available accessories, download our Fan Selector software at [tcf.com](http://tcf.com).

## Engineering Data

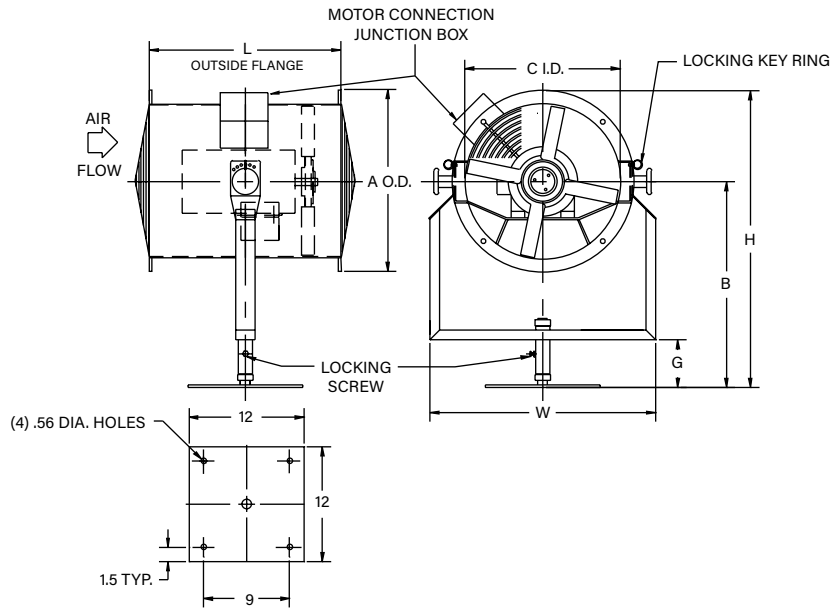


Wall Mount

Floor/Ceiling Mount

FAN SIZE	FAN WEIGHT (LBS.)
16	102
18	109
21	165
24	197
28	236
30	317
32	330
36	350
36	363
36	396
36	396
36	476
42	527
42	668
42	719
42	743
48	995
48	995

## Dimensional Data



FAN SIZE	A	B	C	D	H	L	W	G
16	19.16	22.25	16.16	30.00	31.88	20.00	25.00	5.00
18	21.16	23.00	18.16	30.00	33.63	20.00	27.13	5.00
21	24.19	24.25	21.19	30.00	36.38	20.25	31.00	4.50
24	28.19	25.50	24.19	38.25	39.13	20.50	34.13	4.50
28	31.25	28.25	28.25	38.25	43.88	24.50	38.25	4.50
30	33.25	29.00	30.25	38.25	45.63	24.50	40.25	4.50
32	35.25	30.00	32.25	38.25	47.63	24.50	42.25	4.50
36	39.25	32.00	36.25	38.25	51.63	25.00	47.31	4.00
42	45.88	35.25	42.88	40.25	58.25	26.75	54.00	4.00
48	51.88	38.75	48.88	44.25	64.75	30.00	60.75	4.00

AC-13900

# INDUSTRIAL PROCESS AND COMMERCIAL VENTILATION SYSTEMS

CENTRIFUGAL FANS | UTILITY SETS | PLENUM & PLUG FANS | INLINE CENTRIFUGAL FANS  
MIXED FLOW FANS | TUBEAXIAL & VANEAXIAL FANS | WALL MOUNTED FANS | ROOF VENTILATORS  
CENTRIFUGAL ROOF & WALL EXHAUSTERS | CEILING VENTILATORS | GRAVITY VENTILATORS | DUCT BLOWERS  
RADIAL BLADED FANS | RADIAL TIP FANS | HIGH EFFICIENCY INDUSTRIAL FANS | PRESSURE BLOWERS  
LABORATORY EXHAUST FANS | FILTERED SUPPLY FANS | MANCOOLERS | FIBERGLASS FANS | CUSTOM FANS



**TWIN CITY FAN & BLOWER**  
**[WWW.TCF.COM](http://WWW.TCF.COM)**

5959 TRENTON LANE N. | MINNEAPOLIS, MN 55442 | PHONE: 763-551-7600 | FAX: 763-551-7601

©2018-2024 Twin City Fan Companies, Ltd., Minneapolis, MN. All rights reserved. Catalog illustrations cover the general appearance of Twin City Fan & Blower products at the time of publication and we reserve the right to make changes in design and construction at any time without notice.