

See Catalog 4720 for sizes that ship assembled.

Qty	Hardware Kit #1B
	Item
40	Cap Screw, Serrated Flange, 1/4-20 x 5/8"
40	Hex Nut, Serrated Flange, 1/4-20

Qty	Hardware Kit #4A
	Item
40	Screws, 12 x 3/8"

Qty	Hardware Kit #1C
	Item
4	Doubler plates
4	Cap Screw, Serrated Flange, 5/16-18 x 3/4"
4	Hex Nut, Serrated Flange, 5/16-18

Qty	Hardware Kit #4B
	Item
60	Screws, 12 x 3/8"

Note: Not always required.

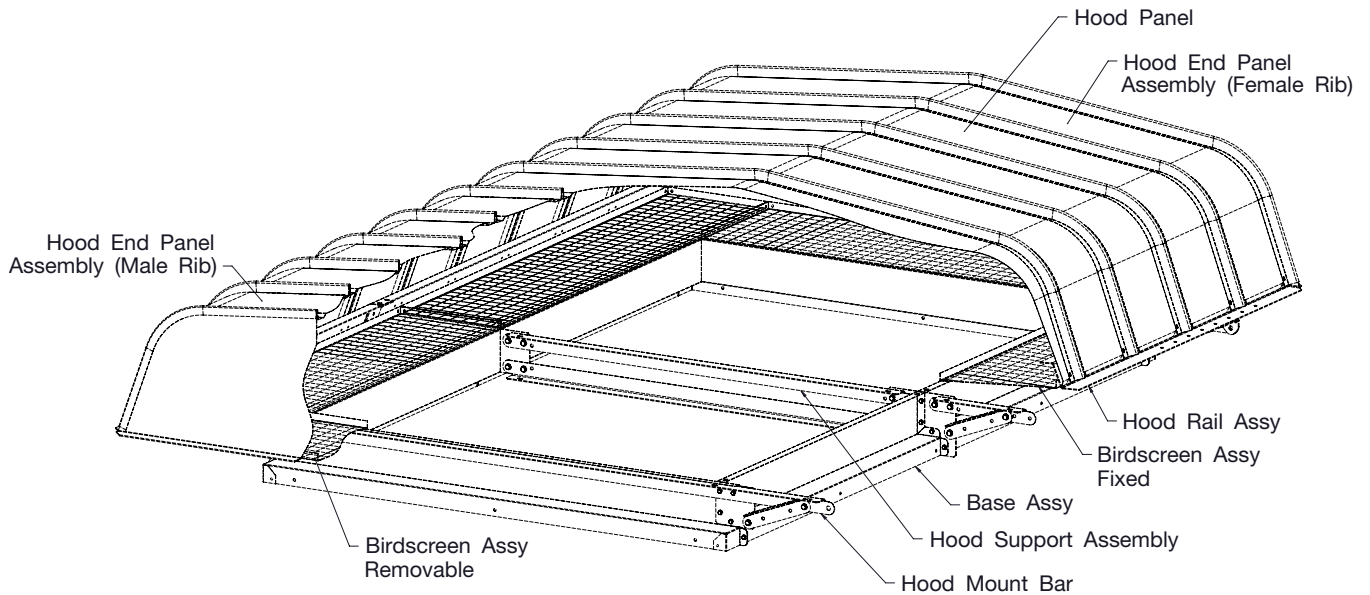
Qty	Hardware Kit #4C
	Item
88	Screws, 12 x 3/8"

Qty	Hardware Kit #2
	Item
16	Nut Clip - 1/4-20
24	Cap Screw, Serrated Flange, 1/4-20 x 3/4"
8	Hex Nut, 1/4-20

Qty	Hardware Kit #5
	Item
A/R	Hood Clips (Only for hood panels longer than 108")

Qty	Hardware Kit #3
	Item
A/R	Cap Screw, Serrated Flange, 5/16-18 x 3/4"
A/R	Hex Nut, Serrated Flange, 5/16-18

Figure 1.

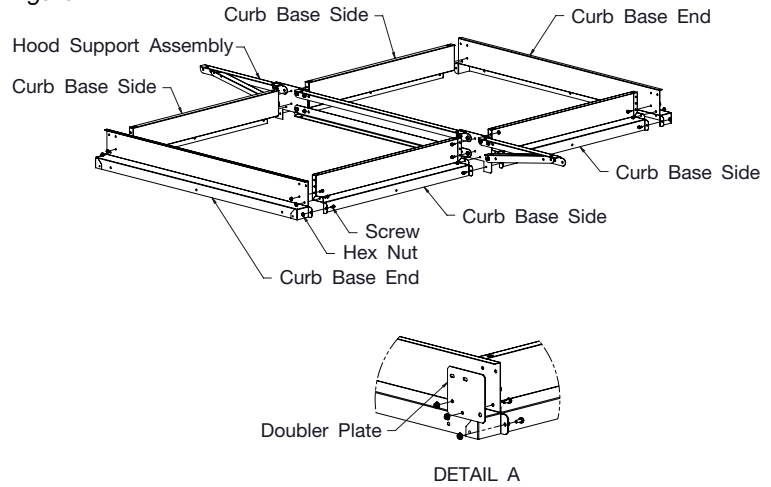


Step 1 – Base Assembly

Fasteners (Kit #1B and #1C) – **Note: There may be extra fasteners.**

Lay out the **Curb Base Side**, **Hood Support Assembly** and **Curb Base End** in approximate location to each other. See Figure 2. Use (3) 1/4-20 fasteners for 5" base height and (4) 1/4-20 fasteners for 12" base height. Leave top two holes open on the Base End. **Note: Hand tighten only until Step 3.** Bolt together **Curb Base Sides** to **Hood Support Assembly** with (8) 1/4-20 fasteners per Hood Support Assembly for 5" bases and (10) 1/4-20 fasteners for 12" bases. On some hoods, a **Doubler Plate** is required. See Detail A of Figure 2. For base assemblies with more than one **Hood Support Assemblies**, orient top flanges away from center.

Figure 2.



Step 2 – Hood Mount Bars

Fasteners (Kit #1B and #1C)

Loosely assemble **Hood Mount Bars** on both sides of the **Base Ends** using (4) 1/4-20 fasteners per side. On hoods using a **Doubler Plate**, mount **Brace** using 5/16-18 hardware. See Figure 3b.

Figure 3a.

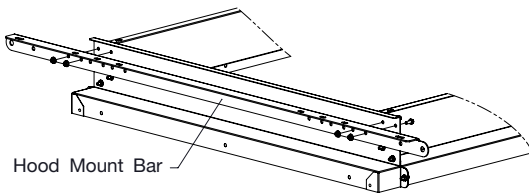
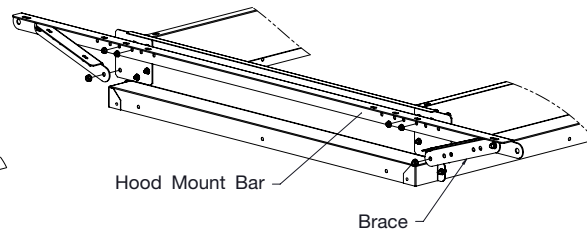


Figure 3b.



Step 3 – Caulk

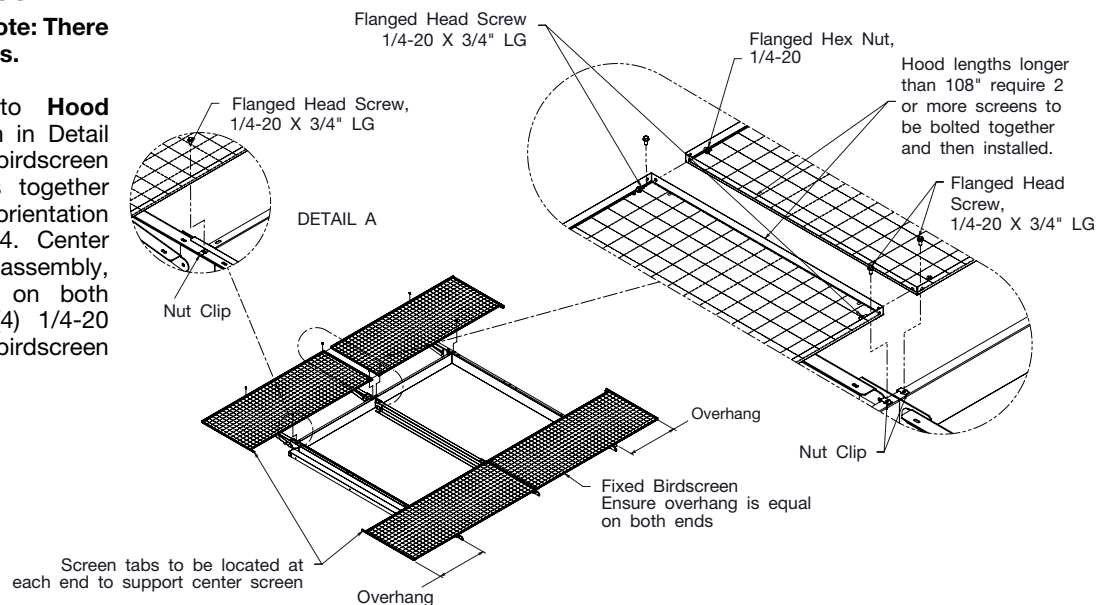
Caulk inside corners of base assembly and tighten all fasteners. Install assembly onto roof curb before proceeding. Ensure that assembly is properly anchored to roof curb.

Step 4 – Birdscreen

Fasteners (Kit #2) – **Note: There may be extra fasteners.**

Install nut clips onto **Hood Mount Bars** as shown in Detail A of Figure 4. If birdscreen is split, bolt sections together to get correct tab orientation as shown in Figure 4. Center **Fixed Birdscreen** on assembly, with equal overhang on both sides. Attach using (4) 1/4-20 x 3/4" fasteners as shown.

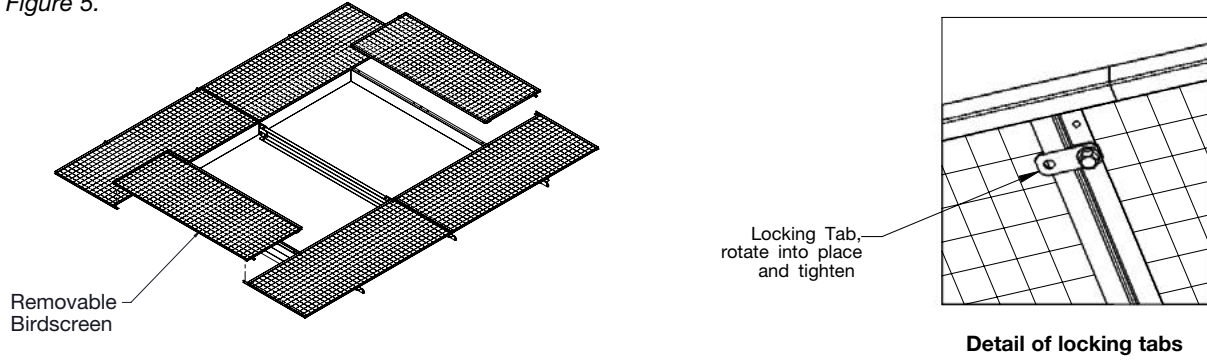
Figure 4.



Step 4 – Birdscreen (Continued)

Install two **Removable Birdscreens**. After positioning the assemblies, rotate the locking tabs in place and tighten.

Figure 5.

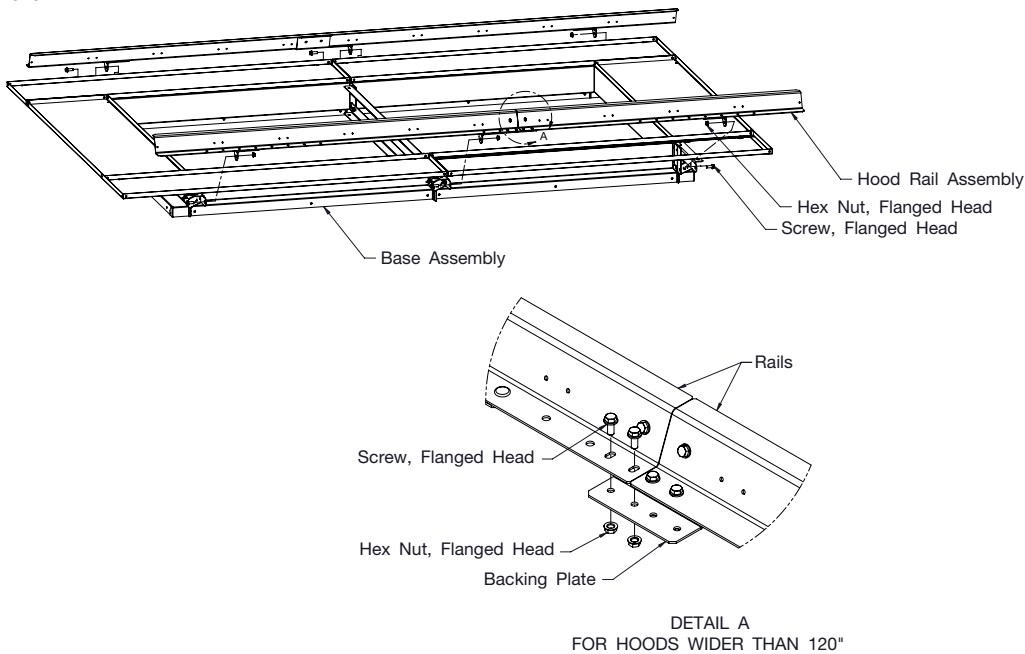


Step 5 – Hood Rails

Fasteners (Kit #3) – **Note: There may be extra fasteners.**

For hoods 120" and longer, see Detail A in Figure 6 and bolt together **Hood Rail Sections** and **Rail Backing Plate** with $\frac{5}{16}$ " hardware. Install two **Hood Rail Assemblies** to the Hood Mount Bars using cap screws and nuts. Do not fully tighten fasteners. They will be tightened in Step 8.

Figure 6.



Step 6 – Hood End Panel

Fasteners (Kit #4B or #4C and Kit #5) – **Note: There may be extra fasteners.**

Install **Male End Panel Assembly** using #12 screws.

Figure 7.

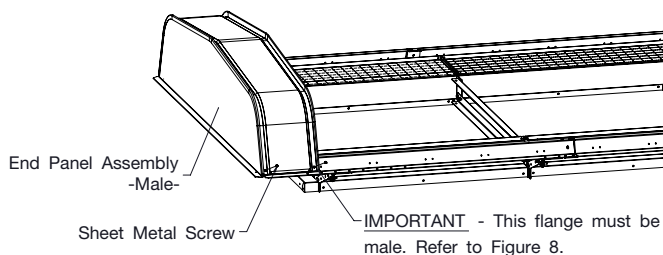
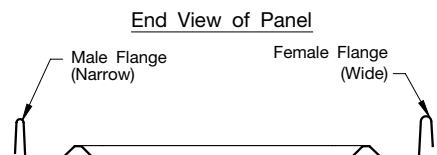


Figure 8.

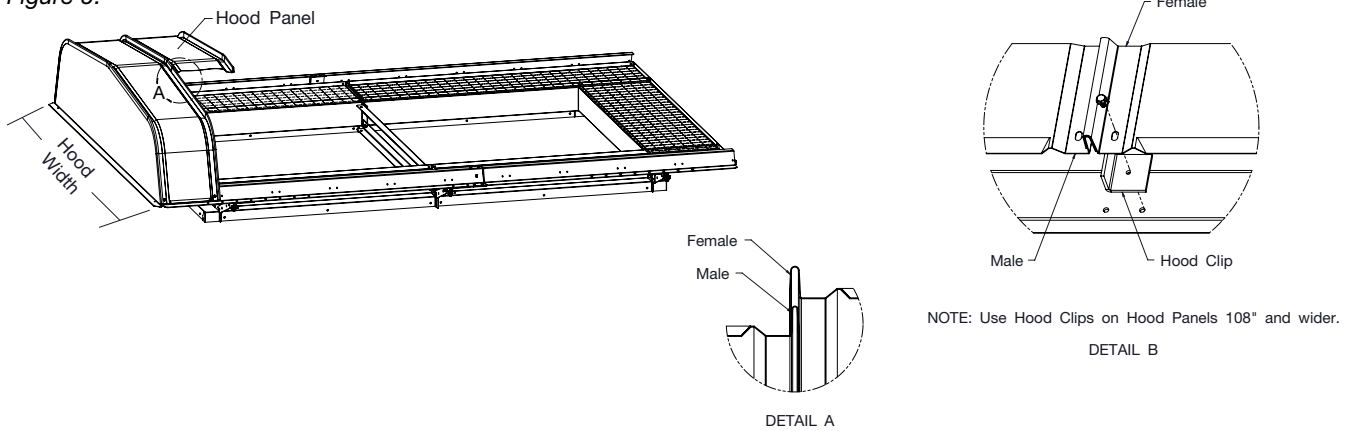


Step 7 – Hood Panels

Fasteners (Kit #4A or #4B or #4C and Kit #5)

Install **Hood Panels** using #12 screws. Place female end of next panel over male end of end panel. See Detail A. On sizes where hood width is 108" and larger, hood clips must be installed at each interlocking rib while installing the panels. Position the **Hood Panel** in place and reach underneath to slide the **Hood Clip** into place. See Detail B.

Figure 9.

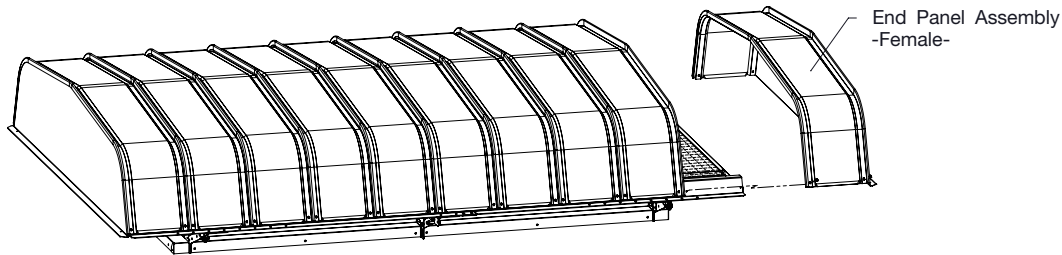


Step 8 – Hood End Panel

Fasteners (Kit #4A or #4B or #4C) – **Note: There may be extra fasteners.**

Install **Female End Panel Assembly** using #12 screws. Fully tighten the **Hood Mount Bar/Side Rail** fasteners from Step 5.

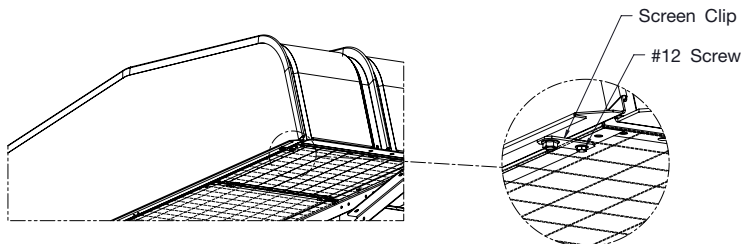
Figure 10.



Step 9 – Screen Clips

Rotate **Screen Clips** on **End Panel Assembly** to support the bird screen.

Figure 11.



TWIN CITY FAN & BLOWER | WWW.TCF.COM

5959 Trenton Lane N | Minneapolis, MN 55442 | Phone: 763-551-7600 | Fax: 763-551-7601