

See Catalog 4720 for sizes that ship assembled.

Qty	Hardware Kit #1A	
	Item	
24	Cap Screw, Serrated Flange, 1/4-20 x 5/8"	
24	Hex Nut, Serrated Flange, 1/4-20	

Qty	Hardware Kit #4A	
	Item	
40	Screws, #12 x 3/8"	

Qty	Hardware Kit #1C	
	Item	
4	Doublers plates	
4	Cap Screw, Serrated Flange, 5/16-18 x 3/4"	
4	Hex Nut, Serrated Flange, 5/16-18	

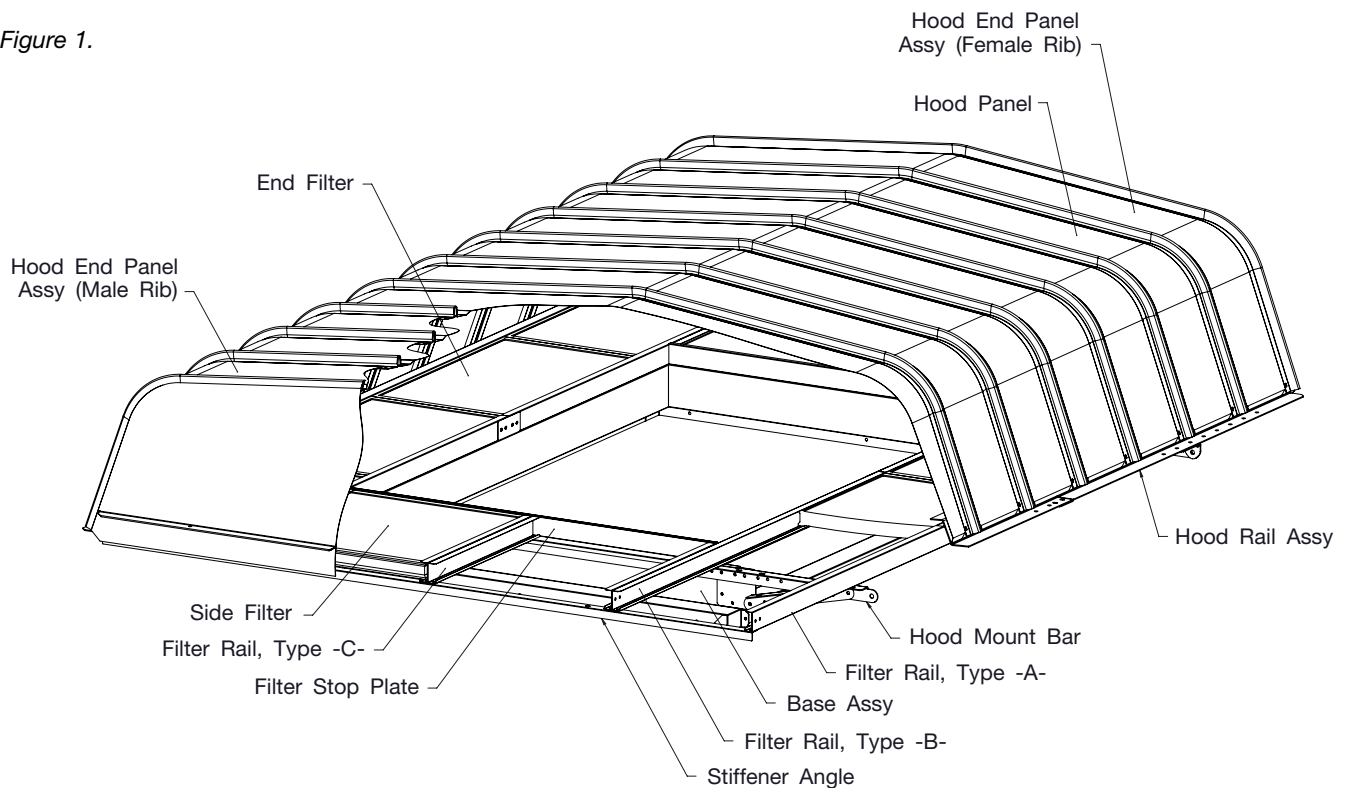
Qty	Hardware Kit #5	
	Item	
A/R	Hood Clips (Only for hood panels longer than 108")	

Note: Not always required.

Qty	Hardware Kit #6A	
	Item	
20	Cap Screw, Serrated Flange, 5/16-18 x 3/4"	
20	Hex Nut, Serrated Flange, 5/16-18	

Qty	Hardware Kit #3	
	Item	
8	Cap Screw, Serrated Flange, 5/16-18 x 3/4"	
8	Hex Nut, Serrated Flange, 5/16-18	

Figure 1.

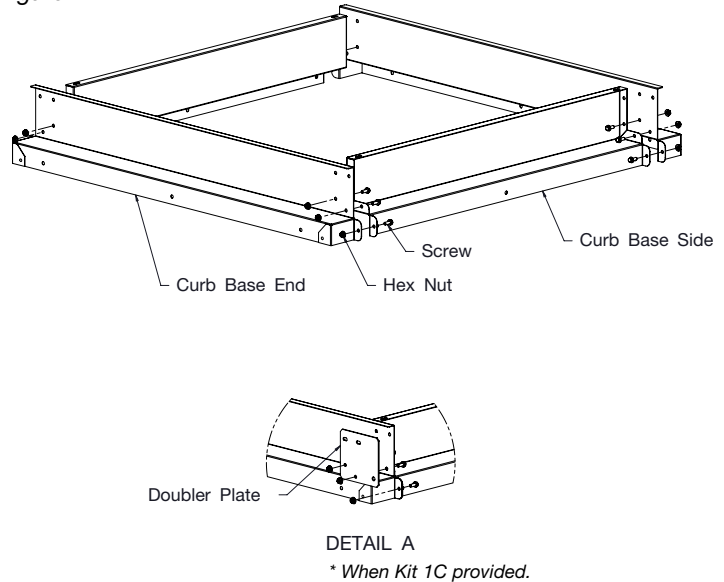


Step 1 – Base Assembly

Fasteners (Kit #1A and #1C) – **Note: There may be extra fasteners.**

Lay out the **Curb Base Side** and **Curb Base End** in approximate location to each other. See Figure 2. Use (3) 1/4-20 fasteners for 5" base height and (4) 1/4-20 fasteners for 12" base height. Leave top two holes open on the Base End. **Note: Hand tighten only until Step 3.** On some hoods, a **Doubler Plate** is required. See Detail A in Figure 2.

Figure 2.



Step 2 – Hood Mount Bars

Fasteners (Kit #1A and #1C)

Loosely assemble **Hood Mount Bars** on both sides of the **Curb Base Ends** using (4) 1/4-20 fasteners per side. On hoods using a **Doubler Plate**, mount **Brace** using 5/16-18 hardware. See Figure 3b.

Figure 3a.

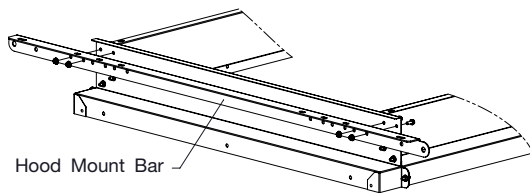
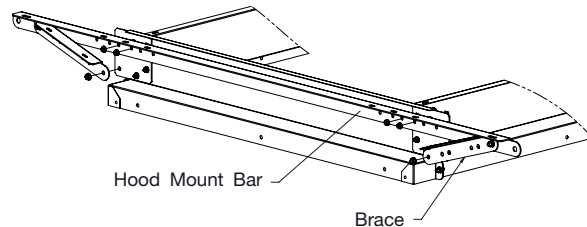


Figure 3b.



Step 3 – Caulk

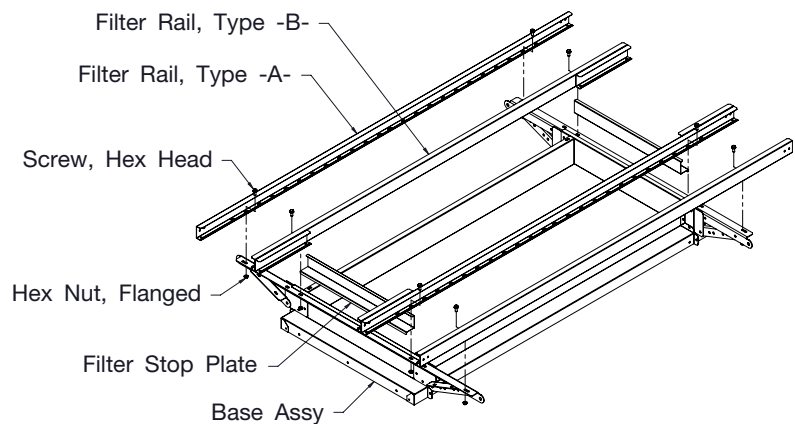
Caulk inside corners of base assembly and tighten all fasteners. Install assembly onto roof curb before proceeding. Ensure that assembly is properly anchored to roof curb.

Step 4 – Filter Rails

Fasteners (Kit #6A) – **Note: There may be extra fasteners.**

Attach **Filter Channel, Type -A-** to the **Hood Mount Bar** using cap screws and nuts (hand tight). Lay **Filter Channels, Type -B-** onto assembly and wedge **Filter Stop Plate** between them and the **Base Assembly**. Assemble with cap screws and nuts (hand tight).

Figure 4.

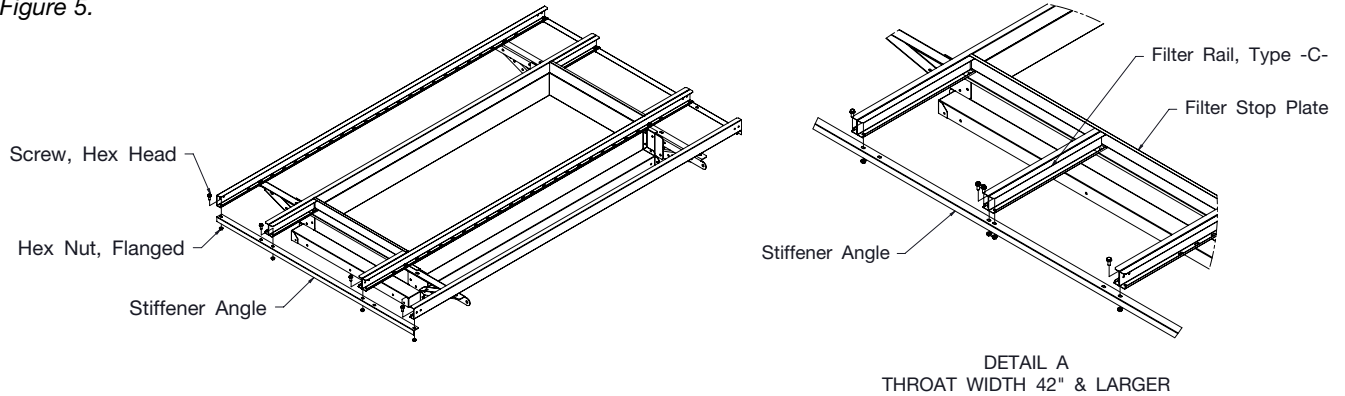


Step 4 – Filter Rails (Continued)

Fasteners (Kit #6A)

Attach **Stiffener Angle** with cap screws and nuts, hand tighten. For base widths 42" and larger, assemble **Filter Channel, Type -C-** by sliding channel into **Filter Stop Plate** channel and then bolting to **Stiffener Angle**. See Detail A.

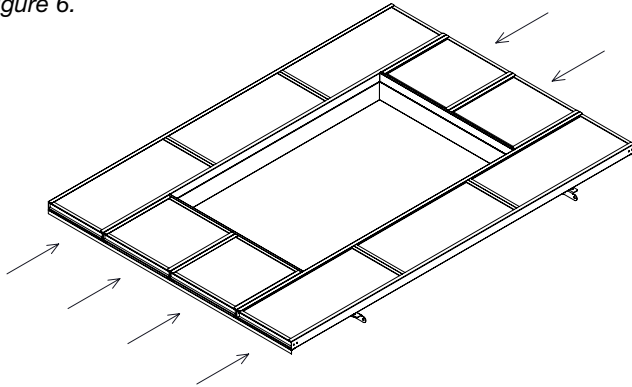
Figure 5.



Step 5 – Filters

Slide filters into assembly and tighten all fasteners.

Figure 6.

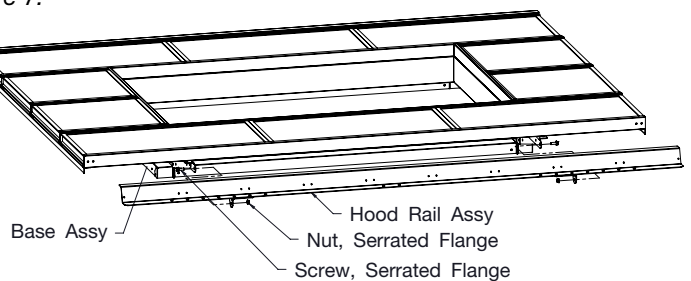


Step 6 – Hood Rails

Fasteners (Kit #3) – **Note: There may be extra fasteners.**

Install two **Hood Rail Assemblies** to the Hood Mount Bars using cap screws and nuts. Do not fully tighten fasteners. They will be tightened in Step 9.

Figure 7.



Step 7 – Hood End Panel

Fasteners (Kit #4A and Kit #5) – **Note: There may be extra fasteners.**

Install **Male End Panel Assembly** using #12 screws.

Figure 8.

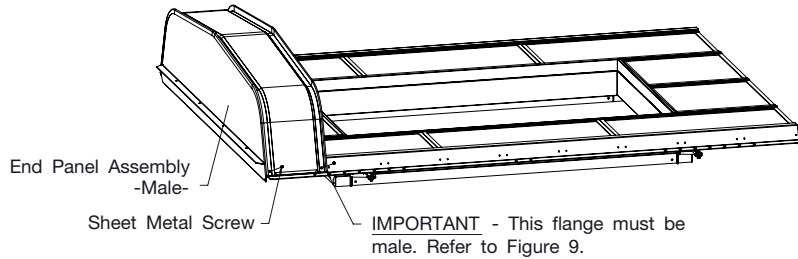
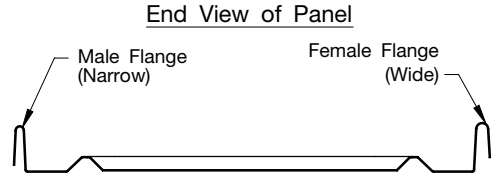


Figure 9.

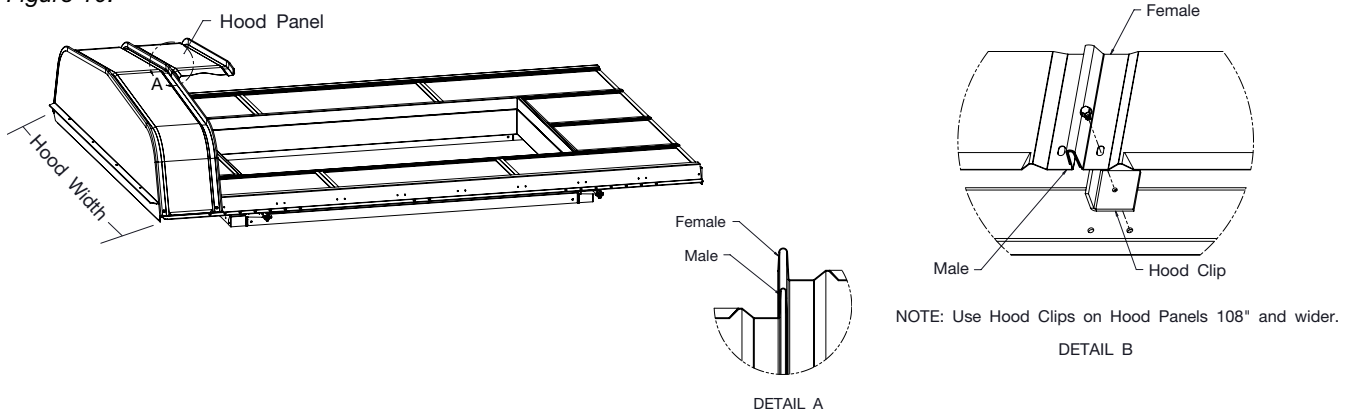


Step 8 – Hood Panels

Fasteners (Kit #4A and Kit #5)

Install **Hood Panels** using #12 screws. Place female end of next panel over male end of end panel. See Detail A. On sizes where hood width is 108" and larger, hood clips must be installed at each interlocking rib while installing the panels. Position the **Hood Panel** in place and reach underneath to slide the **Hood Clip** into place. See Detail B.

Figure 10.

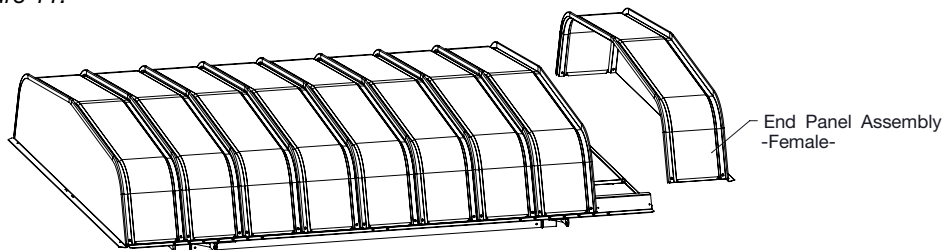


Step 9 – Hood End Panel

Fasteners (Kit #4A) – **Note: There may be extra fasteners.**

Install **Female End Panel Assembly** using #12 screws. Fully tighten the **Hood Mount Bar/Side Rail** fasteners from Step 6.

Figure 11.



TWIN CITY FAN & BLOWER | WWW.TCF.COM

5959 Trenton Lane N | Minneapolis, MN 55442 | Phone: 763-551-7600 | Fax: 763-551-7601