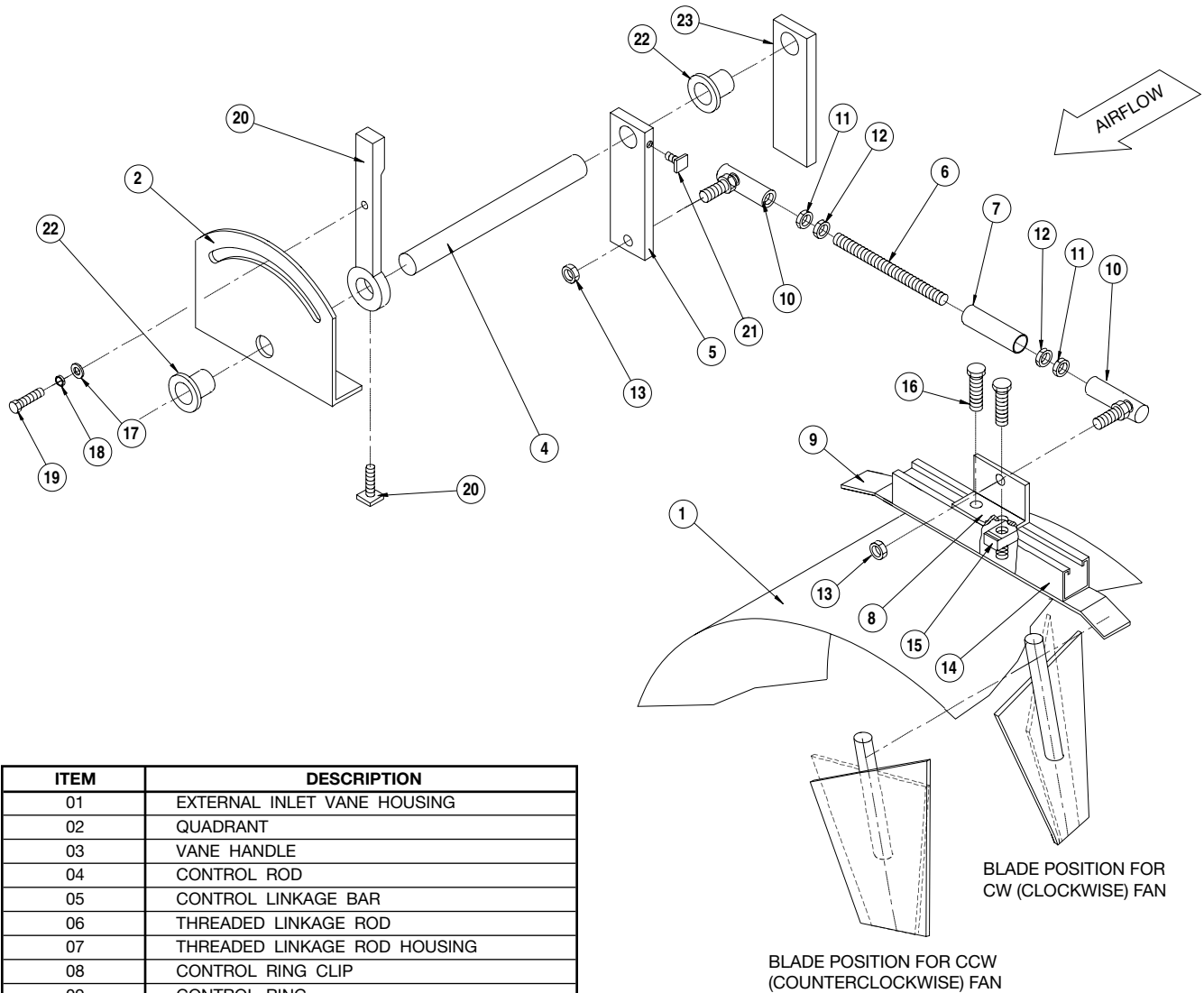


Figure 1.

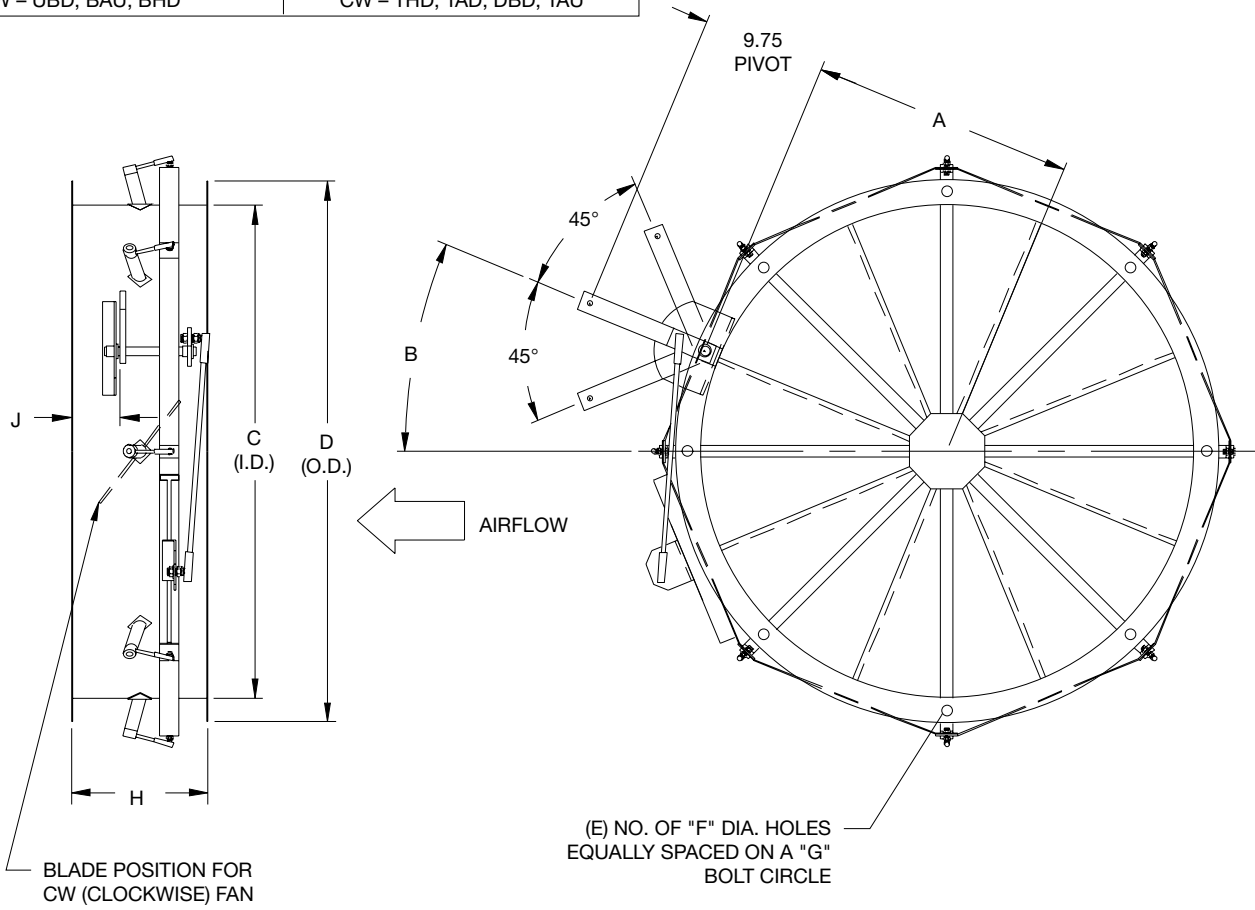
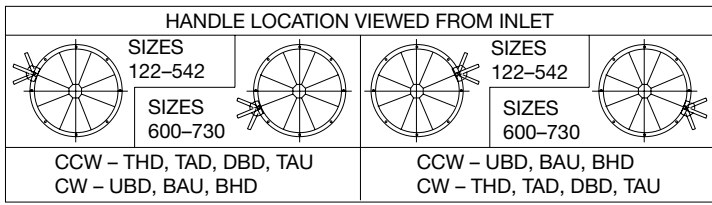


ITEM	DESCRIPTION
01	EXTERNAL INLET VANE HOUSING
02	QUADRANT
03	VANE HANDLE
04	CONTROL ROD
05	CONTROL LINKAGE BAR
06	THREADED LINKAGE ROD
07	THREADED LINKAGE ROD HOUSING
08	CONTROL RING CLIP
09	CONTROL RING
10	BALL JOINT
11	HEX NUT
12	HEX NUT
13	NEX NUT
14	UNISTRUT
15	UNIISTRUT CLAMPING NUT
16	HEX HEAD SCREW
17	FLAT WASHER
18	SPRING LOCK WASHER
19	HEX HEAD SCREW
20	SQUARE HEAD SETSCREW
21	SQUARE HEAD SETSCREW
22	OILITE BEARING
23	OILITE BEARING BAR

NOTES:

- Items 7 and 12 are used for fan size 445 and larger.
- Measure threaded linkage rod length to fit.
- Quadrant is to be welded to inlet vane housing.
- Oilite bearing bar (item 23) is to be welded to inlet vane housing.
- When attaching the external inlet vane to the fan housing, be sure that when the vane is partially closed the entering air will be spun in the direction of wheel rotation.

Figure 2. External Inlet Vanes Handle Location For BC/BAF, BCS Fans



SIZE	A	B	C	D	E	F	G	H	J
122	7.94	22.50	13.25	16.25	8	.44	15.00	5.75	1.88
135	8.56	22.50	14.50	17.56	8	.44	16.31	6.25	2.13
150	9.38	22.50	16.13	19.19	8	.44	17.94	6.88	2.25
165	10.19	22.50	17.75	20.75	8	.55	19.50	7.50	2.50
182	11.06	22.50	19.50	22.50	8	.44	21.25	8.19	2.75
200	12.00	22.50	21.38	24.38	8	.44	23.13	8.88	3.00
222	13.19	22.50	23.75	27.75	12	.56	26.00	9.81	3.25
245	14.31	22.50	26.00	30.06	12	.56	28.31	10.63	3.50
270	15.53	22.50	28.44	32.50	12	.56	30.75	11.56	3.88
300	17.31	22.50	31.63	35.63	12	.56	33.88	12.81	4.25
330	18.88	22.50	34.75	38.75	12	.56	37.00	14.00	4.63
365	20.78	15.00	38.56	42.50	12	.56	40.75	10.75	3.63
402	22.69	15.00	42.38	46.44	12	.56	44.69	11.75	3.88
445	24.94	15.00	46.88	51.88	16	.69	49.63	12.81	4.25
490	27.84	15.00	51.69	56.63	16	.69	54.38	14.13	4.75
542	30.56	15.00	57.13	62.13	16	.69	59.88	15.56	5.25
600	33.56	11.25	63.13	68.13	16	.69	65.88	13.13	4.38
660	36.63	11.25	69.25	74.38	16	.69	72.13	14.31	4.75
730	40.38	11.25	76.75	81.75	16	.69	79.50	15.75	5.25



TWIN CITY FAN & BLOWER | WWW.TCF.COM

5959 Trenton Lane N | Minneapolis, MN 55442 | Phone: 763-551-7600 | Fax: 763-551-7601