

Fan & Blower  
**Twin City**  
 TCF.COM

## OEM Fan Parts



**Wheels & Propellers**



**Motors & Drives**



**Shafts & Bearings**



**Couplings**



**Belts & Sheaves**



**Funnels**

 **888-444-4823**
 **parts@tcf.com**

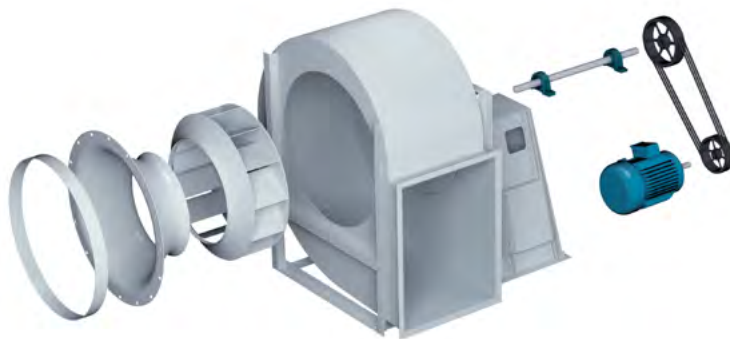
# Replacement Parts

**(All Fan Manufacturers)**

Whether you need common replacement parts or a backup supply of spare parts for process critical applications, Twin City Fan & Blower can help keep you up and running.

Not sure which part you need? No problem, contact our Parts Department at [parts@tcf.com](mailto:parts@tcf.com) or by phone at 888-444-4823. Our team can assist you in selecting the right part for your fan – regardless of the manufacturer. Common replacement parts include:

- > Wheels & Propellers
- > Motors & Drives
- > Shafts & Bearings
- > Belts & Sheaves
- > Companion Flanges



# Fan Retrofits

**(All Fan Manufacturers)**

If you are looking to upgrade an existing fan to accommodate system upgrades, process enhancements or to suit new environmental regulations, our team of fan experts has you covered. Twin City Fan & Blower has extensive expertise in retrofitting fans from all fan manufacturers. We can also provide engineered retrofit packages that are designed to increase the efficiency of large industrial fans that can have paybacks in as little as six months.